

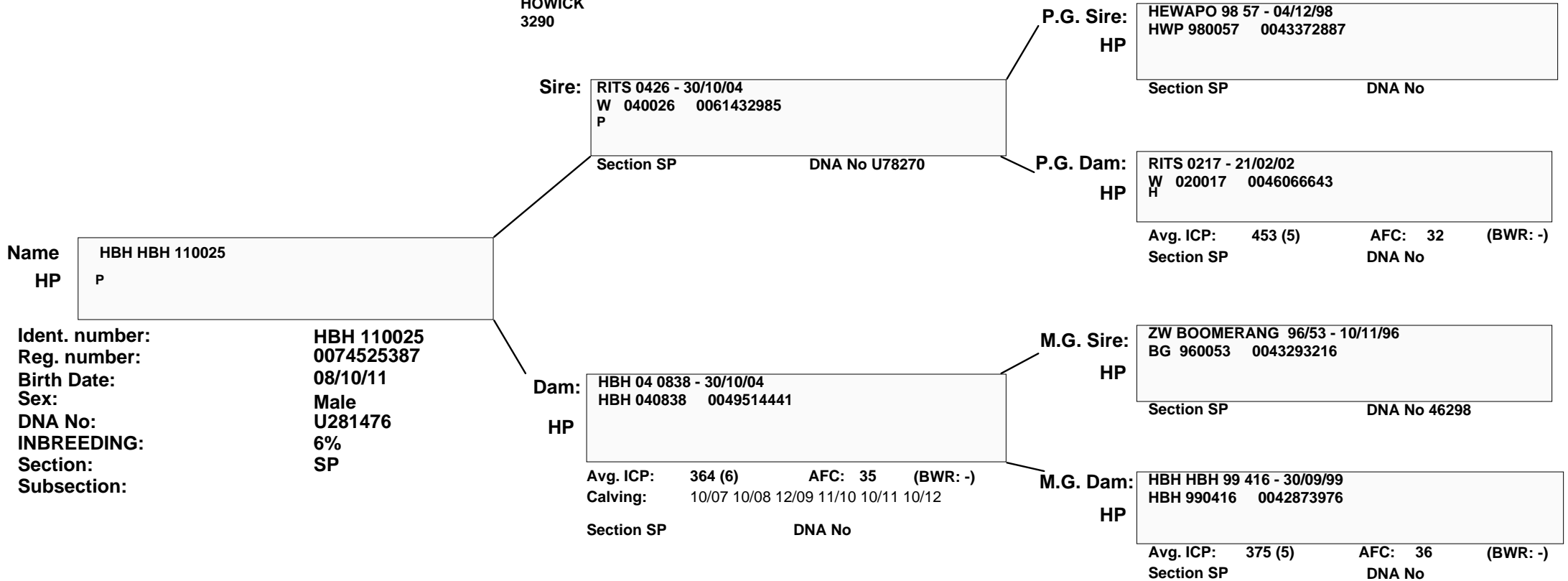
Three generation pedigree

compiled by the S.A. Stud Book and Animal Improvement Association



HP HORING STATUS

0648066000
P. & C. SMIT TRUST
P.O. BOX 481
HOWICK
3290



	CALVINGWEIGHT		MATERNAL CHARACT		GROWTH AND EFFICIENCY					REPRODUCTION			FRAME		CARCASS			SELECTION VALUES(Rand)		
	Birth Dir	Wean Dir	Birth Mat.	Wn. Mat.	Post Wn.	Mature Wgt	ADG	FCR	KLB	SCR	AFC	ICP	Hgt.	Lgt.	Result	Meat	Marbling	Growth	Cow	Production
07/2017	115	101	112	88	104	106	111	-		126	98	96	123	123	-	-	-	111	104	105
BREEDING VALUES	-0.46 ₈₉	4.1 ₈₇	-0.28 ₅₉	-1.6 ₆₁	9.4 ₇₅	14 ₃₅	128 ₆₆	-		23.1 ₇₅	0.3 ₅₁	-0.7 ₂₈	25 ₇₆	44 ₇₃	-	-	-	300 ₇₀	20 ₅₆	66 ₅₉
MEASURE	31	185			12M	18M	1429	-		313			1172	1361						
CONTEMPORARIES		39			-	-	29		29	TEST		D11								
INDEX		92			-	-	112	-	110											